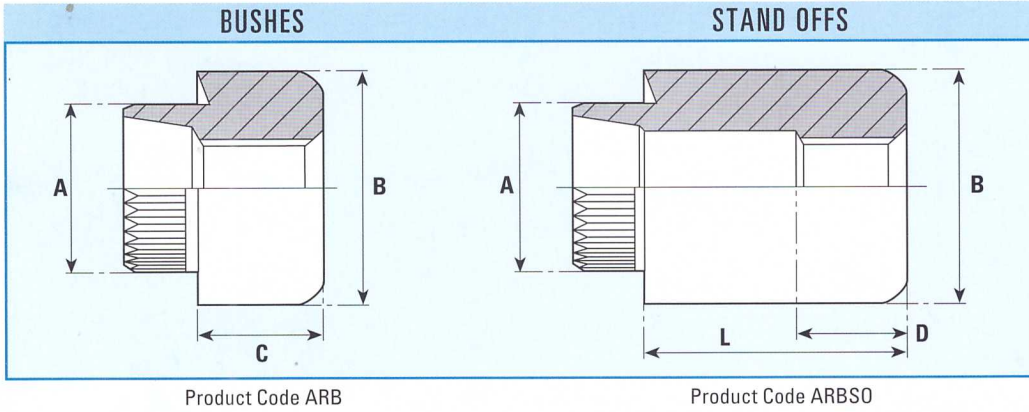


TECHNICAL DATA

ANCHOR RIVET BUSH



STANDARD MATERIAL - Mild Steel (S)
STANDARD FINISHES - Self Colour or Zinc & Clear Passivation.
 Other materials and finishes possible on quotation.

DIMENSIONS

THREAD SIZES		Dia. of Shank	Dia. of Body	Depth of Body	Thread Length	Rec. Hole Size
Unified	ISO Metric	A mm	B mm	C mm	ARBSO	-0.00 +0.10 mm
4	2.5, 3	5.8	7.9	3.2	3.3	5.90
6	3.5	6.9	9.5	3.8	3.9	6.95
8	4	6.9	9.5	3.8	3.9	6.95
10	5	8.3	11.1	4.4	4.6	8.35
1/4	6	9.5	12.7	5.7	5.9	9.65
5/16	8	13.0	15.9	6.4	6.5	13.10
3/8-7/16	10	15.4	19.1	7.6	7.9	15.50
1/2	12	19.4	25.4	10.2	10.4	19.50

ARBSO - Lengths Available ('L')

MILLIMETRES	3	4	5	6	8	10	12	14	16	18	20	25
SHANK CODE	001	003	004	006	008	010	012	013	014			
SHEET THICKNESS	0.5-0.6	0.7-0.8	0.9-1.0	1.1-1.3	1.4-1.6	1.7-1.9	2.0-2.2	2.3-2.5	2.6-2.8			
SHANK CODE	016	017	018	019	020	022	023	024	026			
SHEET THICKNESS	2.9-3.1	10swg	3.2-3.4	3.5-3.7	3.8-4.0	4.1-4.3	4.4-4.6	4.7-4.9	5.0-5.9			

HOW TO SPECIFY

ARB		ARBSO	
PRODUCT CODE	ARB-M4-008-S-Z	PRODUCT CODE	ARBSO-M4-008-S-12MM-Z
THREAD SIZE	ARB-M4-008-S-Z	THREAD SIZE	ARBSO-M4-008-S-12MM-Z
SHANK CODE	ARB-M4-008-S-Z	SHANK CODE	ARBSO-M4-008-S-12MM-Z
MATERIAL CODE	ARB-M4-008-S-Z	MATERIAL CODE	ARBSO-M4-008-S-12MM-Z
FINISH (if applicable)	ARB-M4-008-S-Z	LENGTH	ARBSO-M4-008-S-12MM-Z
		FINISH (if applicable)	ARBSO-M4-008-S-12MM-Z

ANCHOR RIVET BUSH