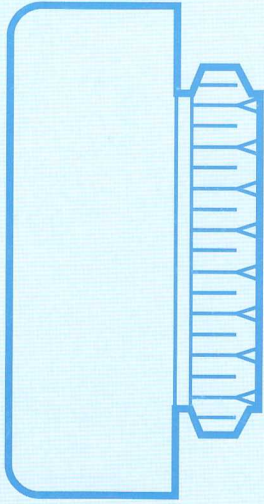


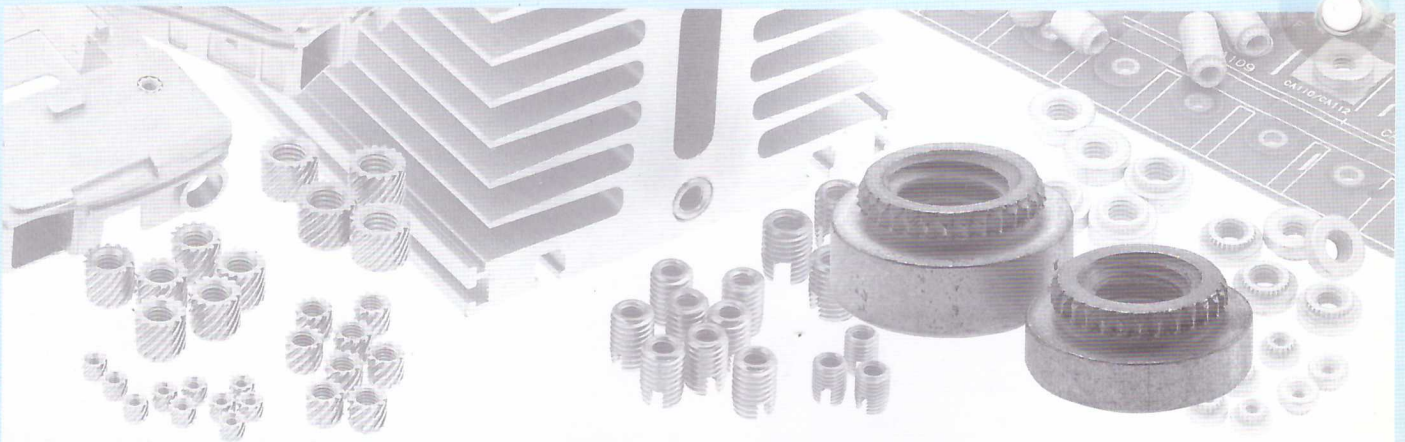
PRINTED CIRCUIT BOARD FASTENERS



PRINTED CIRCUIT BOARD FASTENERS have been designed to provide a metallic deep tapped thread into resin based printed circuit boards. They combine simple press-in installation with high retention properties and remove any danger of cracking or shattering of the board. A stand-off version is also available.

ADVANTAGES

- SIMPLE PRESS-IN INSTALLATION
- HIGH PULL-OUT
- GUARANTEED NOT TO CRACK BRITTLE PCB



DESIGN GUIDE

HOLE PREPARATION

Holes must be held to a tolerance of $-0.000 +0.075\text{mm}$.

INSTALLATION

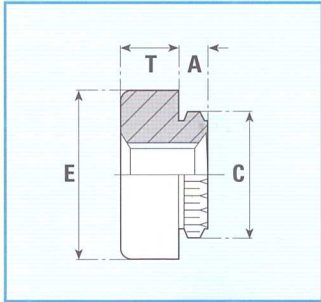
All Self-Broaching fasteners are easy to install as no special tooling is required. However - this must always be carried out using a squeeze action - never a shock load. (See page 10).

POSITIONING THE FASTENER

The recommendations given in the table must be closely followed to prevent chipping at the edge of the board.

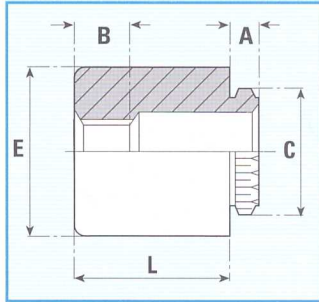
TECHNICAL DATA

BUSH



Product Code PCBR

STAND OFF



Product Code SCBR

STANDARD MATERIAL - Mild Steel (Electrotinned)

DIMENSIONS

INTERNAL THREAD SIZES		A Max.	B	C	T	E	Hole size in board	Minimum distance from centre line to board edge
Unified	ISO Metric	mm	mm	mm	mm	mm	mm	mm
2	2	1.5	2.0	4.06	1.5	5.54	3.7	3.5
-	2.5	1.5	2.0	4.55	1.5	5.54	4.2	4.5
4	3	1.5	2.0	4.55	1.5	5.54	4.2	4.5
6	3.5	1.5	2.0	5.74	2.0	7.00	5.4	5.0
8	4	1.5	3.0	6.68	2.0	8.72	6.4	6.5
10	5	1.5	3.0	7.24	3.0	9.53	6.9	7.0
1/4	6	1.5	6.0	8.66	6.0	10.00	8.3	8.0

STAND OFF - Lengths Available ('L')

MILLIMETRES	3	4	5	6	8	10	12	14	16	18	20	25
INCHES	1/8	5/32	3/16	1/4	5/16	3/8	7/16	1/2	5/8	3/4	7/8	1

HOW TO SPECIFY

PCBR

PRODUCT CODE	PCBR-M3
THREAD SIZE	PCBR-M3

SCBR

PRODUCT CODE	SCBR-M3
THREAD SIZE	SCBR-M3
LENGTH	SCBR-M3-10

PRINTED CIRCUIT BOARD FASTENERS

